



## Xeon Power 3W LED Module

Model No.	OSPR3XX3- XXXME1C1E
REV.	C1

### Descriptions:

- Green light source, fast response
- Long life, easy installation
- LED model number: XXXME1C1E

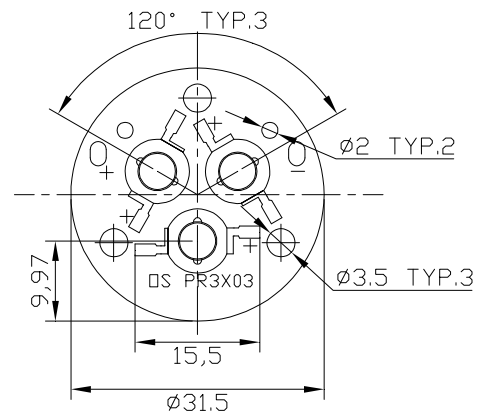
### Features:

- Available in red, yellow, green, blue, white
- Super Bright
- Big Emitting Angle
- Superior ESD Protection
- Superior UV Resistance
- Can be equipped with lens: OS-OLTX3525X

### Application:

- Small Space Lighting
- Mechanical equipment lights

### Product Picture and Dimensions:



Unit:mm

Model No.	OSPR3XX3- XXXME1C1E
REV.	C1

## Device Selection Guide

Module No.	Color	Wavelength (Typ.)	Overall Luminous Flux / module
R5XME1C1E	Red	625 nm	150lm
G5XME1C1E	Green	525 nm	225lm
B5XME1C1E	Blue	470 nm	45lm
Y5XME1C1E	Yellow	590 nm	150lm
W4XME1C1E	White	6500K	300lm
M5XME1C1E	Warm White	3000K	270lm

## Absolute Maximum Ratings(Ta=25°C)

Items	Symbol	Values	Units
Operating supply range(DC)	V <sub>dc</sub> (B, W, G)	12	V
	V <sub>dc</sub> (R, Y)	9	
Input Current (DC)	I <sub>i</sub>	400	mA
Power Dissipation	P <sub>a</sub> (B, W, G)	4.8	W
	P <sub>a</sub> (R, Y)	3.6	
Operating Temperature	T <sub>ope</sub>	-10 ~ +40	DegC
Storage Temperature	T <sub>stg</sub>	-20 ~ +80	DegC

## Typical Performance (Ta=25°C)

Items	Symbol	Min.	Typ.	Max.	Units
LED Module Power	P <sub>m</sub> (B, W, G)	-	3.5	4.8	W
	P <sub>m</sub> (R, Y)		2.625	3.6	
Input Voltage(DC)	V <sub>i</sub> (B, W, G)	-	10	12	V
	V <sub>i</sub> (R, Y)		7.5	9	
Product input Current	I <sub>f</sub>	-	350	400	mA
Beam Pattern	BP	-	120	-	Deg
Total diameter of PCB	L <sub>mod.</sub>	-	31.5	-	mm
Net Weight	Wei.	---	5	---	g